

REYNOLDS®

7.7m3 Ejector. SCRAPER model 7.7M3



Certified & Registered
ISO
9001:2000
Quality
MANAGEMENT
SYSTEM

2.95m wide for ease of transport

“Ejector Scraper”

For construction and Land forming, precision leveling large fields, and building sites with your Ag tractors from 180 to 300 HP.

“Synchronized ejector”

Cylinders, priority apron opening system. Patented SDS® system.

“Hydraulic System”

Manifold with integral valves control all scraper functions. Flare type fittings to reduce leaks. Covers protect lines. Easy service access.

“America’s Preferred Scraper”

REYNOLDS®

REYNOLDS INTERNATIONAL EQUIPMENT, L.P.
P.O. Box 550, McAllen, Texas 78505-0550 USA
www.reynoldsinternational.com

REYNOLDS

LASER Ejector **SCRAPER** model 7.7M3

Specifications subject to
change without notice

Specifications

■ capacities

10 yd³ (7.7 m³) heaped

6.5 yd³ (5.0 m³) struck

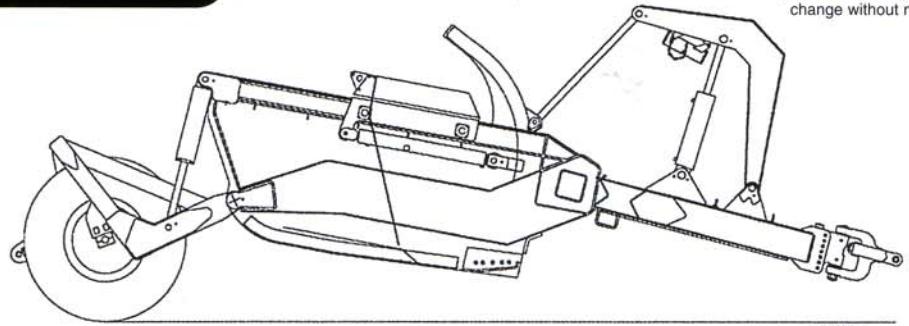
■ width

102" (2.59 m) cutting

118" (2.95 m) transp.

■ tires (4) 13.00 x 24

■ shipping weight est. 18,300 lb (8,210 kg)



Features

- Multi-function hydraulic valve block.
- Rear tandem quick hitch.
- Rear tandem quick disconnect.
- Cylinder safety stops.
- Adjustable yoke hitch.
- Reversible heat treated alloy blades.
- Wear resistant corner bits.
- Height adjustable axle mounts.
- Heavy duty roller bearing hubs.
- Laser bracket.
- Light system.
- Tires (4) 13.00 x 24
- Wheel Chocks.
- Fold Down Parking Reflector.



Options

Tractor drawbar.

Tractor requirements

■ hydraulics

two double acting circuits
optimum 25 GPM (100 l/min)
at 2500 PSI (175 bar)

■ engine HP range

180 - 300 HP



REYNOLDS INTERNATIONAL EQUIPMENT, L.P., P.O. Box 550, McAllen, Texas 78505-0550 USA

Tel. (956) 687-7500, Fax (956) 687-3082, Email: info@reynoldsinternational.com