

REYNOLDS®

PivotDUMP

11.5CFB8 fixed blade SCRAPER

for Farmers and Public Works Contractors



Self-loads 11.5 cu. yards (8,8 m³) each, and 23 cu. yards (17,6 m³) in Tandem

The **CFB** CarryALL “fixed blade” SCRAPER offers you earthmoving productivity combined with GPS/Laser finishing capability in the same reliable high performance PivotDUMP unit.

The cutting blade always **remains on-grade** when the bucket pivots to unload. The bucket is hinged to the “fixed blade” which is moved up or down with the frame carriage hydraulics.

REYNOLDS®

REYNOLDS INTERNATIONAL, L.P.
P.O. Box 550, McAllen, Texas 78505-0550 USA
www.reynoldsinternational.com

REYNOLDS

PivotDUMP model 11.5CFB8 fixed blade SCRAPER

Specifications

■ capacities

11.5 cubic yards (8,8 m³) heaped

■ dimensions

Cutting width 96" (2,44 m)

Transport width 116" (2,96 m)

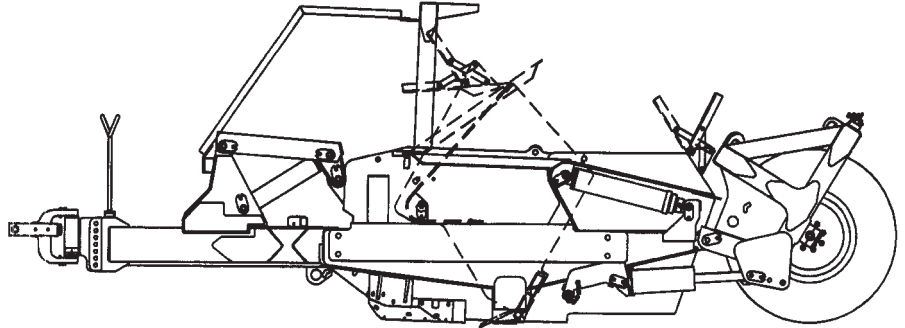
Length 255" (6.48 m)

Height 83" (2.11 m)

■ weight

Empty 12,300 lb (5590 kg)

Specifications subject to
change without notice



Shown with laser mount bracket option

■ tires

(4) 13.00 x 24 Road Grader

Standard Features

Height adjustable yoke hitch.
Tandem hydraulics and hitch.
Two piece cutting Blade,
Reversible, Tungsten Steel.

Options

5 Shank RIPPER attachment.
Laser receiver mount bracket.
Drawbar assy. for the tractor.



Tractor requirements

■ hydraulics

25 GPM (100 l/min)

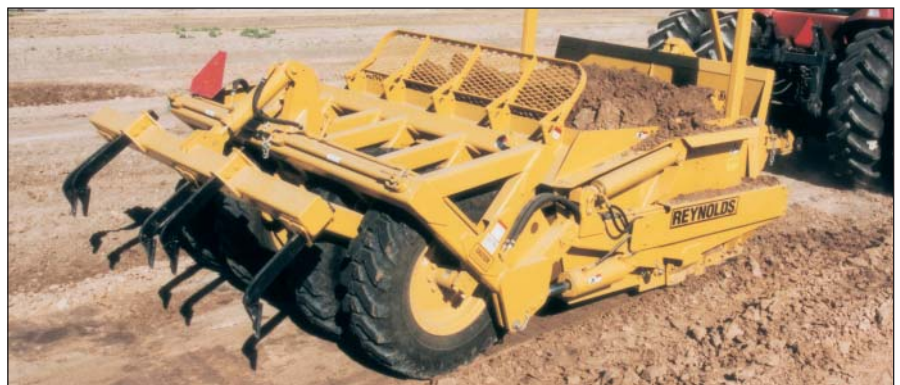
at 2500 PSI (175 bar) optimum

■ engine HP range

One scraper: 200-250 (150-190 kW)

Two scrapers: 275-325 (205-242 kW)

With RIPPER subject to soil conditions



REYNOLDS INTERNATIONAL, L.P., P.O. Box 550, McAllen, Texas 78505-0550 USA

Tel. (956) 687-7500, Fax (956) 687-3082, Email: earthmove@aol.com